

Data Sheet



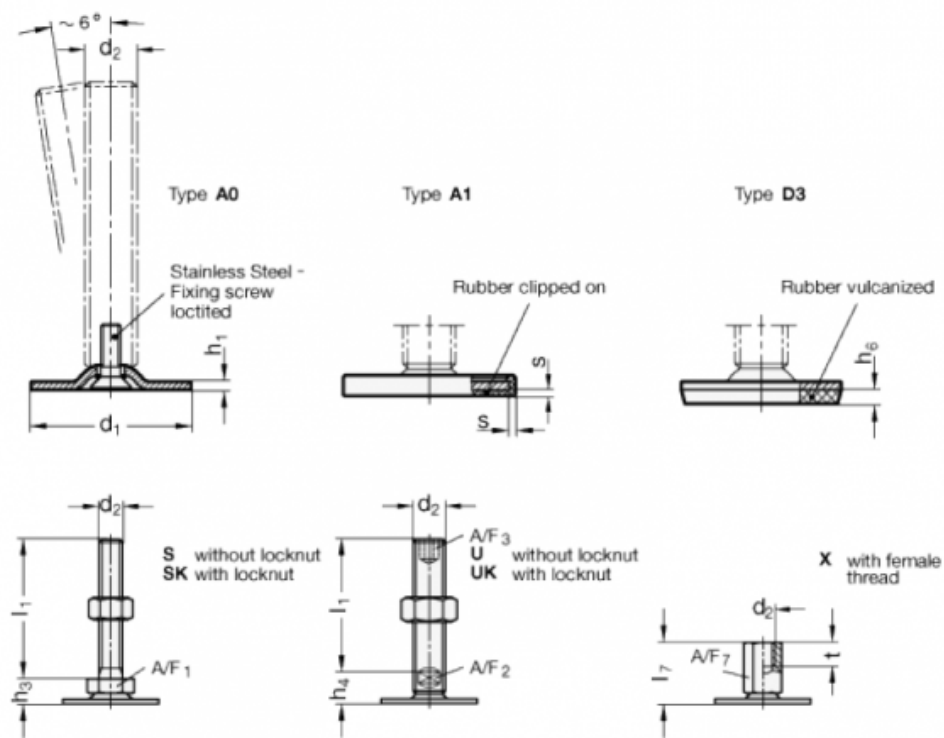
Article number: 204060M1637A0X

Description: E+G levelling foot

GN 40-60-M16-37-A0-X

Note: X With female thread, External hexagon

Measures



A/F7	=	22
d1	=	60
d2	=	M16
h1	=	2.5
h6	=	
l7	=	37
s	=	
t	=	16